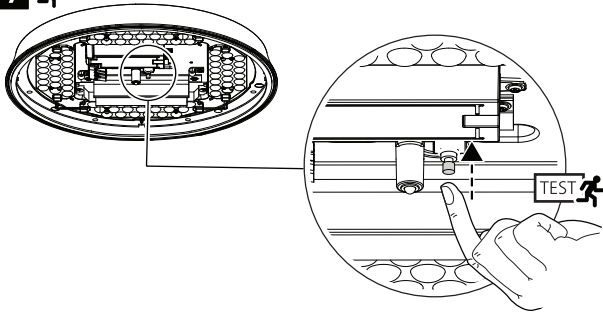


4000K				
Factory Settings		ON		START Surface IP54 Multipower
		1	2	0043413
1   2	Io [mA]	P [W]	[lm]	
● ●	176	36	4000	
● ○	155	32	3500	
○ ●	134	28	3000	
○ ○	115	24	2500	
EM	-	2.8	430	

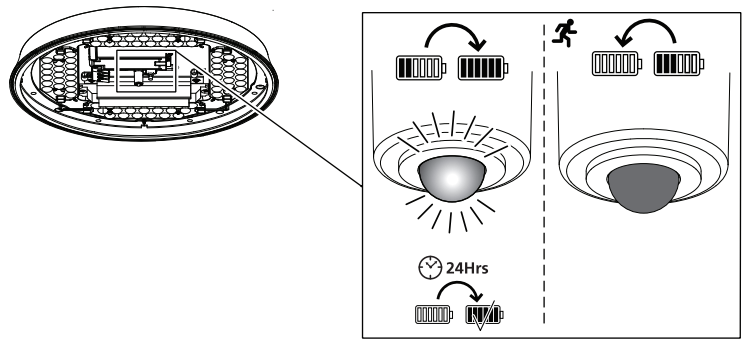
  

3000K				
Factory Settings		ON		START Surface IP54 Multipower
		1	2	0043413
1   2	Io [mA]	P [W]	[lm]	
● ●	176	36	3750	
● ○	155	32	3250	
○ ●	134	28	2800	
○ ○	115	24	2350	
EM	-	2.8	400	

**7** 



**8**



**9**

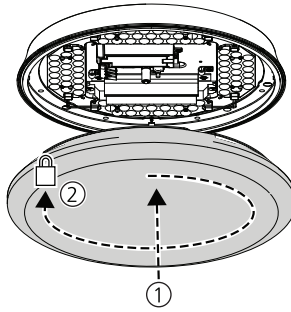
**STREAMER**  
 Rechargeable cylindrical Lithium  
 iron phosphate battery  
 Model No.: YHBL-2-3.3Z  
 Rated: 6.4V/3.3Ah 21.12Wh (2IFP27/67)  
 Cells type: IFR26650 G2 3.2V/3.3Ah 10.56Wh  
 Date of manufacture: \_\_\_\_\_  
 Date of commissioning: \_\_\_\_\_



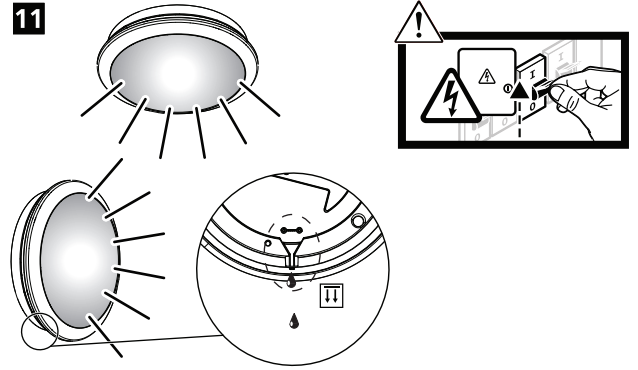
Date of commissioning: ?? / ?? / 202?



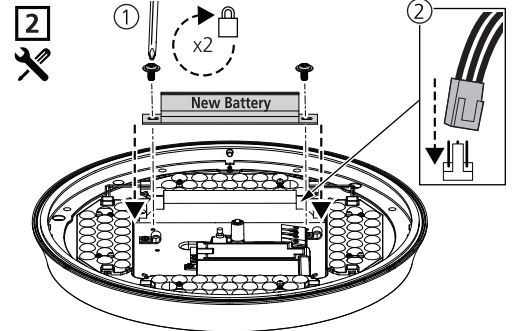
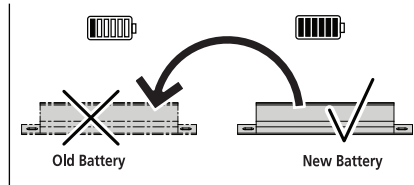
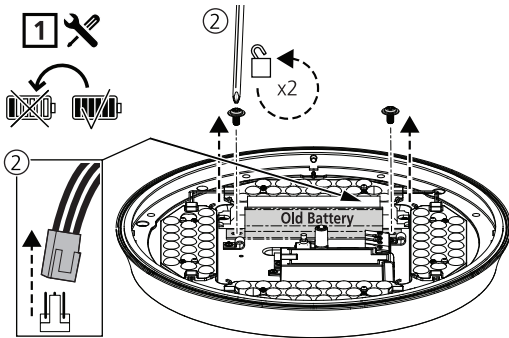
**10**



**11**



**1** 



**i**

